



Complies with the standard
EN 15650-2010



Circular fire dampers

Type **BEK-E60S**

N° 13-01-05/F
subject to change

Introduction

The circular fire damper type **BEK-E60S** with intrinsic energy, returns the degree of fire resistance of a wall crossed by an air duct.

Accessories

*Telescopic sleeve, réf.: **SNP-S***

Provides access to the damper when it is installed in continuous circular duct.

*Signaling contact, réf.: **MS-E***

Contact SPDT, factory mounted, Allows information with regard to the status of the damper position (open or closed) to be remotely reported.

Sizes

DN 100
DN 125
DN 160
DN 200



Functioning

The circular fire damper consists of two half-round parts, kept open by a brass fusible-link. The blades are parallel to the direction of air flow, which reduces the pressure drop and noise.

When the temperature of the air stream is around 70 °C, the fusible-link melts and releases the two blades which are pressed against the flanged edge of the body ensuring a perfect seal, preventing the passage of flames and smoke.

Two side tabs lock the shutters in this position.

Regulation

Product complies with European Standard according to **EN 15650-2010**.

CE Certificat : **1812 - CPD - 1037**

Rating : **E 60 (ve-o↔i)S**

Pressure : **300 Pa**

Fuse tested according to **ISO 10294-4**

Authorized assemblies :

- In vertical masonry walls (≥ 100 mm),
- In vertical walls plasterboard (≥ 100 mm),

Circular fire dampers

Type **BEK-E60S**

N° 13-01-05/F

subject to change

Nomenclature

Dimensions and Weight

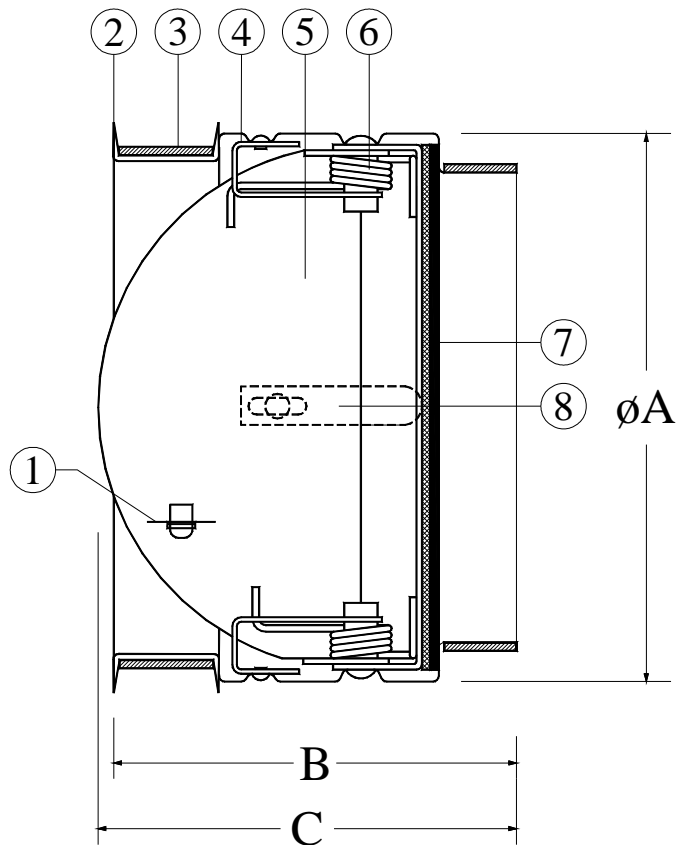
Installation

Nomenclature

- 1 - Fusible-link 70°C
- 2 - EPDM seal
- 3 - Intumescent seal
- 4 - Locking tab
- 5 - Blade
- 6 - Closing spring
- 7 - Pane coatings
- 8 - Retaining tab

Dimensions and Weight

DN	øA (mm)	B (mm)	C (mm)	Weight (kg)
100	99	72,5	72,5	0,26
125	124	72,5	85	0,35
160	159	72,5	105	0,50
200	199	72,5	125	0,71



Installation

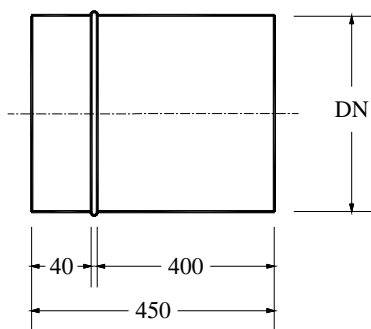
The circular fire damper **BEK-E60S** is mounted by insertion into a circular duct with standardized nominal diameter, crossing a wall.

It is positioned in the thickness of the wall such that in the closed position, the blades are located on the mid-thickness.

A peripheral seal EPDM, provides sealing and retaining the fire damper within the conduit.

Mounting Accessories

Sleeve SNP-S :



Circular fire dampers

Type **BEK-E60S**

N° 13-01-05/F
subject to change

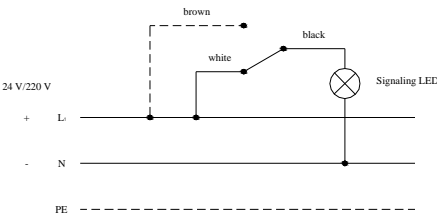
Option

Method of Installation

Signaling contact ref.: MS-E

A contact can be secured to the internal brace to allow remote information transfer: signaling either the "open" position, or the "closed" position (see wiring diagram).

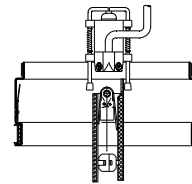
Wiring diagram



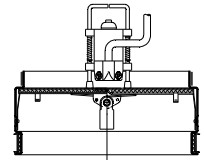
Contact Characteristics

- Protection : IP 65
- Power supply : 240 V/3A
- Tested according to IEC 947-5-1 and EN 60947-5-1
- Cable lenght : 2m
- Cable cross section : 30 x 0,34 mm²

black/brown:
« open » signal



black/white:
« closed » signal



Method of Installation

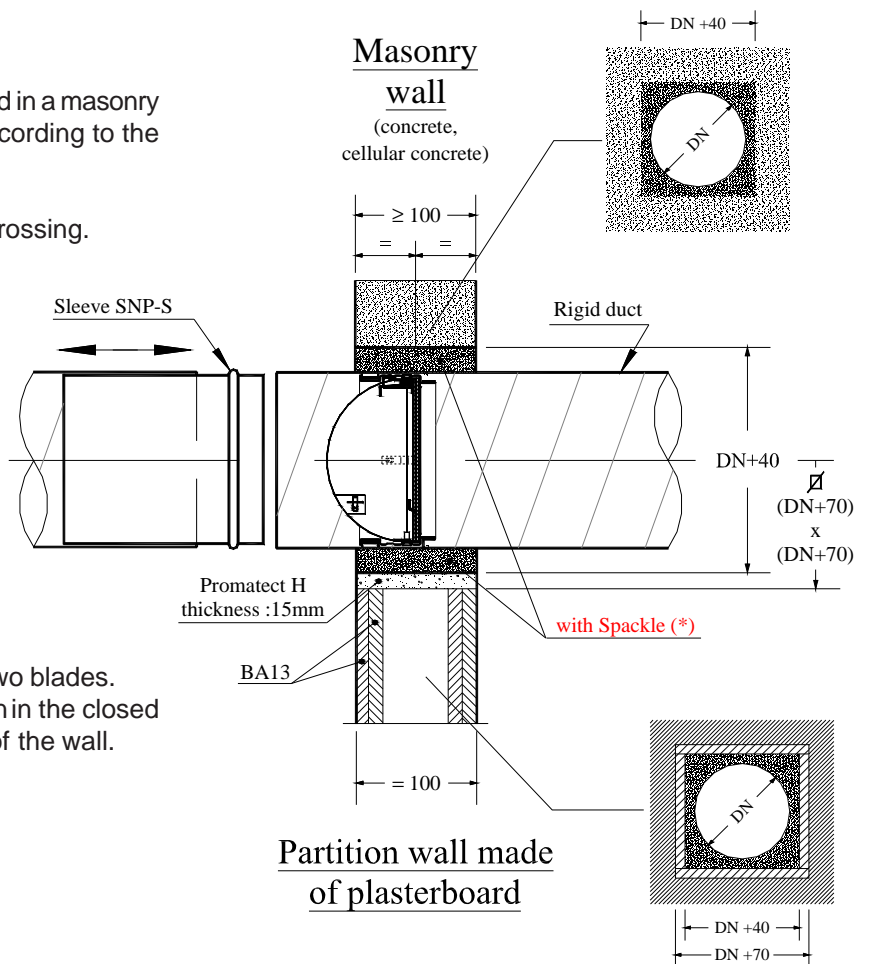
The circular fire damper **BEK-E60S**, is installed in a masonry wall crossing or partition gypsum plaster, according to the following methodology:

- Make an opening DN + 40 mm in the wall crossing.

➤ particular case: When installing in a plasterboard or partition wall make as square opening (DN 70) x (DN 70); make a joint beam with a headband Promatect'H with thickness 15 mm.

- Positioned by centering, the circular duct with standardized nominal diameter.
- (*) Grouting in periphery with **plaster gypsum mixed with sand**.
- Put the circular fire damper in the open position by hooking the fusible-link on the two blades.
- Insert the damper into the duct so that when in the closed position the blades will be in the mid point of the wall.
- Finalize the aeraulic connections using for example the sleeve SNP-S.

Mounting position indifferent :
Front and back ranking o ↔ i!



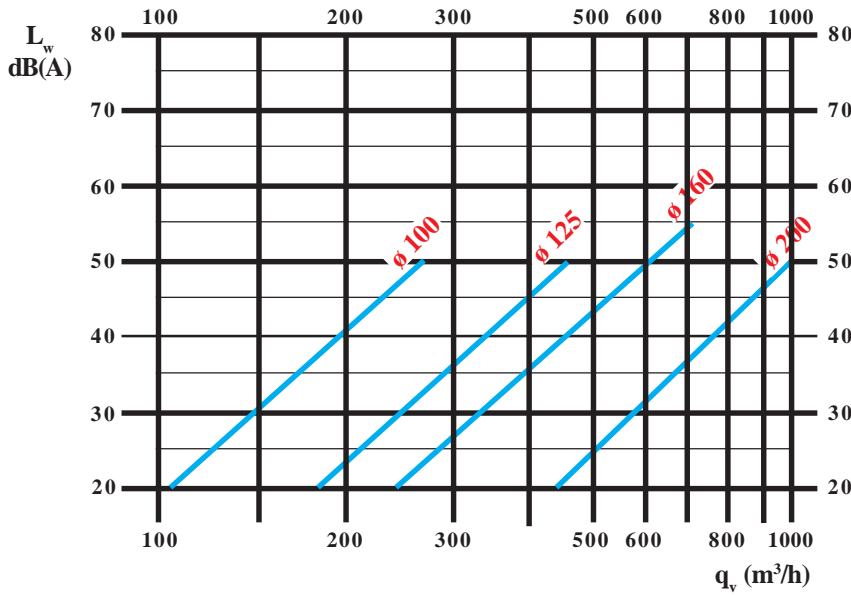
Circular fire dampers

Type **BEK-E60S**

N° 13-01-05/F
subject to change

Noise level

Pressure drop



The graphs below show depending on air flow q_v (m^3/h), the sound power level L_w in dB (A) and pressure drop (Pa).

